



MST

BACKHOE LOADER

Model: **644 S**



Technical Specifications

ENGINE

Brand	PERKINS
Model	904J-E36TA
Type	Diesel
Number Of Cylinders	4
Bore & Stroke	ø 98mm x 120mm
Displacement	3621 cc
Max. Power	74,4 Kw, 100 hp / 2400 RPM
Max. Torque	430Nm @ 1500 RPM
Emission Class	EU: STAGE V - US: Tier IV-Final

TRANSMISSION

- Heavy Duty Powershift Transmission
- 4 Forward & 4 Reverse Gears
- Max Speed On Road 40km/h
- Full Power Hydrostatic, Priority Valve
- Electrically Controlled 2 Wheel Drive or 4 Wheel Drive Selection
- Torque Converter with 2,64:1 stall ratio
- Transmission Oil Cooler

AXLES

- Heavy Duty Service Type Axles
- 16° oscillation on the front axle
- Electrically Controlled 2 Wheel Drive or 4 Wheel Drive Selection
- Ourboard Planetary Reduction
- Differential Lock on the rear axle

HYDRAULIC SYSTEM

Type	Tandem Gear Pump	Piston Type Pump
Flow Rate	145 l/min@2200 RPM	162,8 l/min @2200 RPM
Pressure	240 bar	240 bar

OPERATING WEIGHT

Operating Weight 9250 kg (Telescopik) / 8970 kg (STD Arm)

BRAKES

- **Service Brake:** Hydraulic Boosted Twin Ø 31.75 Compensating self Bleed Master Cylinder
- **Park Brake:** Rear axle input, Manually adjusted Caliper, cable operated, Mounted on transmission output

FILLING CAPACITIES

Engine Oil with Filter	10,5 l
Engine Cooling System	17 l
Fuel Tank	140 l
Transmission	23,5 l
Hydraulic Oil Tank / Total System	62 l / 145 l

ELECTRIC SYSTEM

Voltage	12V
Optional Battery	135 A/h
Alternator	120 A

TIRES

Front Tires	16.9-28" 14PR
Rear Tires	16.9-28" 14PR

LOADER PERFORMANCE

Max. Bucket Breakout Force	7734 kgf
Max. Arm Breakout Force	5905 kgf
Lift Capacity at Max. Height	3200 kg

BACKHOE PERFORMANCE

	TB (Extended)	TB (Retracted)
Bucket Capacity	0,17 m ³	0,17 m ³
Max. Bucket Breakout Force	6424 kgf	6424 kgf
Max. Arm Breakout Force	2506 kgf	3461 kgf

More Details



MST

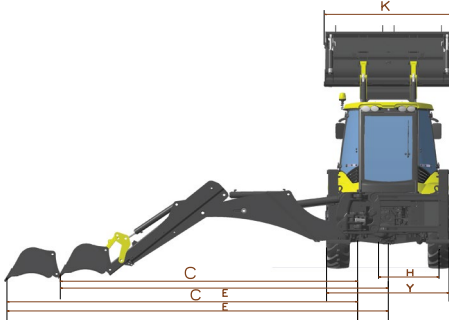
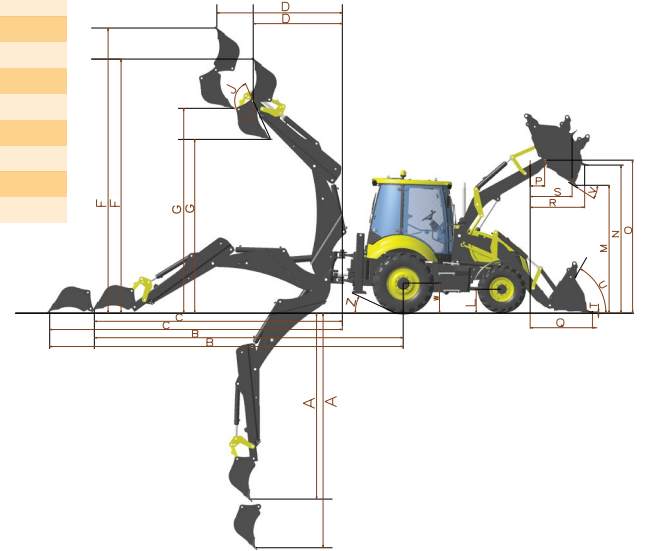
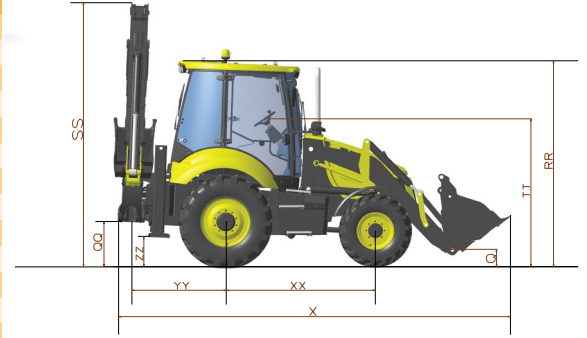
BACKHOE LOADER

644S



DIMENSIONS

		TB (Extended)	TB (Retracted)
A - SAE Maximum Dig Depth	mm	5310	4215
A - Maximum Dig Depth	mm	5810	4715
B - Reach - Ground Level to Rear Wheel Centre	mm	7990	6990
C - Reach - Ground Level to Slew Centre	mm	6641	5640
D - Reach - at Full High to Slew Centre	mm	2776	1936
E - Side Reach -to Centre Line of Machine	mm	7149	6147
F - SAE Operating Height	mm	6406	5696
G - Max Load Over Height	mm	4680	3971
J - Bucket Rotation	°		205°
K - Shovel Width	mm		2350
Y - Rear Frame Width	mm		2250
SS - Total Travel Clearance	mm		3864
X - Total Travel Length	mm		5740
RR - Cab Roof Height	mm		2980
M - Dump Height	mm		2810
N - Load Over Height	mm		3338
O - Loader Hinge Pin Height	mm		3491
T - Dig Depth	mm		115
Q - Reach at Ground (Toe Plate Horizontal)	mm		1340
H - Total Kingpost Travel	mm		1125
W - Rear Wheel Centre to Ground	mm		643
L - Front Wheel Centre to Ground	mm		643



* The information, visual, model and equipments features indicated in this document can be offered as standart or optional depending on the country and region. MST, reserves all the rights to make changes without notice for information, values and designs contained in this document.

MST CONSTRUCTION EQUIPMENT YATIRIM A.Ş.

4. Organize Sanayi Bölgesi 83426 Cad. No:1
Başpınar / Gaziantep / TÜRKİYE

Phone: +90 342 211 59 00 Fax: +90 342 357 00 32
export@mst-tr.com



mstismakinalari



mstismakinalari



MST İş Makinaları



MST İş Makinaları

www.mst-tr.com